


# PRODUCT SHEET

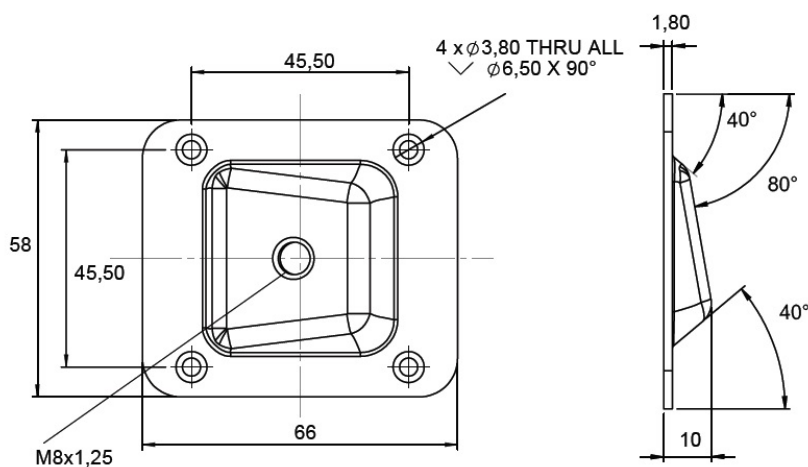
**Description:**

Leg Bracket, Steel BZP, F/M8 Bolt, 10 DG Angle, 66 x 58 mm

**Item number:**

06.11.150-1

| Units | Box | Carton | HS Code    | Barcode   |
|-------|-----|--------|------------|---|
| Pcs.  | 1   | 400    | 8302420090 | <br>5704866485050 |



**SISO A/S**

Mileparken 11  
DK-2740 Skovlunde  
Denmark  
VAT: DK 24786013

Phone +45 45 830 900

www.siso.dk  
siso@siso.dk

Danske Bank  
Nytorv Branch  
Copenhagen  
SWIFT: DABADKKK

Account no.  
4180 3112 112936  
IBAN Account  
DK7230003112112936